

ACO PITLOK® - Concrete pit range

SCEC endorsed (SL1)

Product Description

The Security Construction and Equipment Committee (SCEC) is an interdepartmental committee which selects security equipment to meet the physical security needs of the Australian Government.

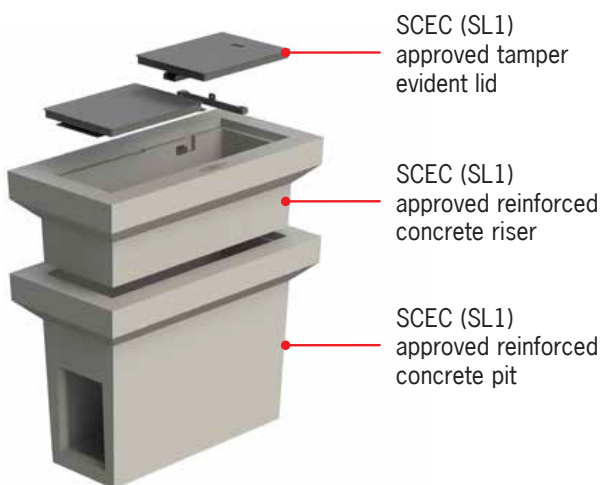
The ACO PITLOK® range has been fully tested and assessed on behalf of SCEC. SCEC have subsequently endorsed the lids and pits contingent on the use of SCEC (SL3) padlocks to secure the lids.

The concrete pit range includes:

- SCEC (SL1) approved tamper evident lids
- SCEC (SL1) approved precast concrete pits (40MPa)



J8 SCEC (SL1) concrete pit enclosure shown



J8 SCEC (SL1) concrete pit enclosure shown

Accessories include:

- ID Plates
- Route Marker Plates
- SCEC Padlocks
- Lid Lifting Tool (Part No. 142232)
- Swing Arm
- Custom risers (see left)

ACO PITLOK® – Concrete pit range

Parts table

Concrete pits with steel lids

Type	Description	Part No.	SEEPL Code	Internal clear opening width L x W x D (mm)	Weight (kg)
J5P	J5P - full body pit only	142263		600 x 340 x 780	409
	J5P - split body pit only	142264		600 x 340 x 780	409
	P5 - steel lid (Class B)	142240	J5P-142240		17
	P5 - steel lid (Class D)	142854	J5P-142854		26
J600P	J600P - full body pit only	142265		535 x 535 x 750	473
	J600P - split body pit only	142266		535 x 535 x 750	466
	P600 - steel lid (Class B)	142488	J600P-142488		23
	P600 - steel lid (Class D)	143065	J600P-143065		34
J8P	J8P - full body pit only	142267		1250 x 440 x 910	818
	J8P - split body pit only	142268		1250 x 440 x 910	818
	P8 - steel lid (Class B)	142241	J8P-142241		44
	P8 - steel lid (Class D)	142851	J8P-142851		66
J10P	J10P - full body pit only	142269		1905 x 440 x 920	1117
	J10P - split body pit only	142270		1905 x 440 x 920	1105
	P10 - steel lid (Class B)	142514	J10P-142514		63
	P10 - steel lid (Class D)	143063	J10P-143063		94
J1000P	J1000P - full body pit only	142271		945 x 945 x 905	863
	J1000P - split body pit only	142272		945 x 945 x 905	863
	P1000 - steel lid (Class B)	142489	J1000P-142489		67
	P1000 - steel lid (Class D)	143055	J1000P-143055		140

Concrete pits with hinged steel lids

Type	Description	Part No.	SEEPL Code	Internal clear opening width L x W x D (mm)	Weight (kg)
J1000HP	J1000HP - split body assembly			990 x 990 x 1105	
	J1000HP - split body pit only	142449		930 x 930 x 1000	863
	Plinth1000HP-10 - hinged lid & plinth (Class B)	142238	Plinth 1000HP-142238		500
	Plinth1000HP-10 - hinged lid & plinth (Class D)	143095	Plinth 1000HP-143095		520
J1500HP	J1500HP - split body assembly			990 x 990 x 1380	
	J1500HP - split body pit only	142520		1500 x 1500 x 1220	863
	Plinth1000HP-15 - hinged lid & plinth (Class B)	142519	Plinth 1000HP-142519		1110
	Plinth1000HP-15 - hinged lid & plinth (Class D)	143096	Plinth 1000HP-143096		1120