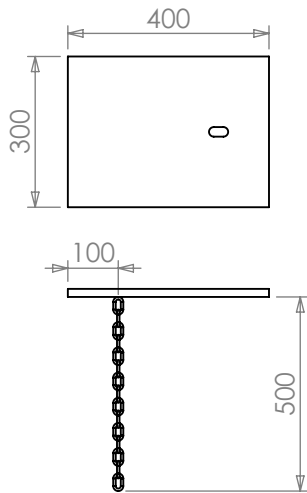
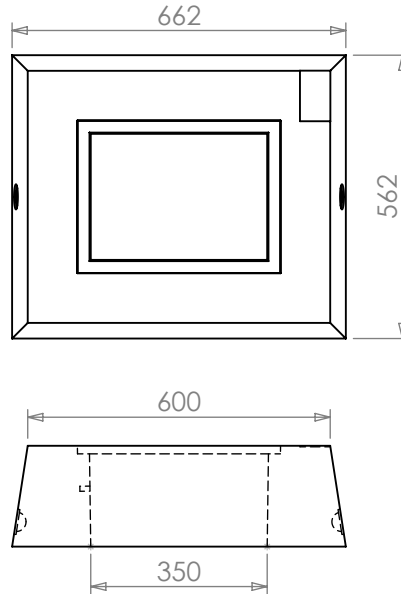


# SHALLOW SIT PIT WITH DEEP COLLAR

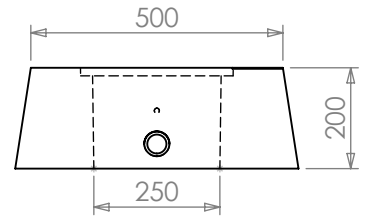
## LID WITH CHAIN



## DEEP SIT PIT COLLAR

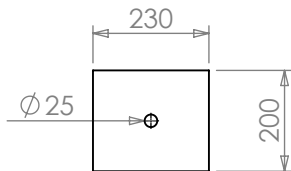


DEEP SIT PIT COLLAR &  
LID ASSEMBLED  
PART NUMBER: 142958

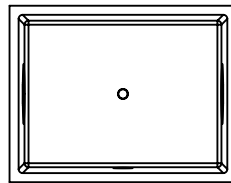


## SUPPORT STAND

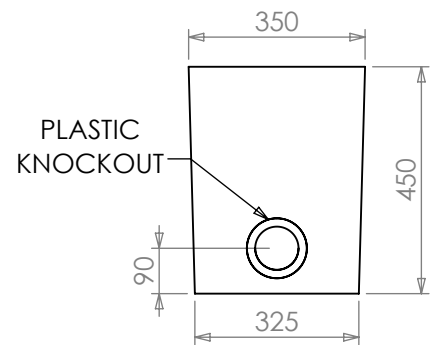
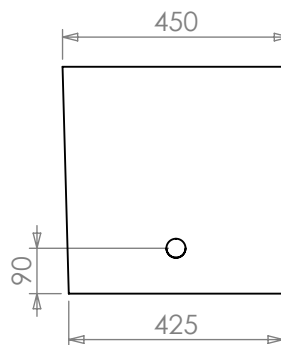
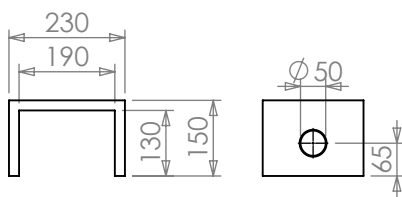
PART NUMBER: 142319



## SHALLOW SIT PIT



PART NUMBER: 142320



©2020 COPYRIGHT ACO LTD.

# SALES ILLUSTRATION

**ACO Limited**

Unit F/6 Percival Gull Place, Mangere, Auckland 2022  
Tel: +64 9 815 9500, Email: sales@aconz.co.nz, Website: www.aconz.co.nz



REF. No.  
**20-02**

REVISION:

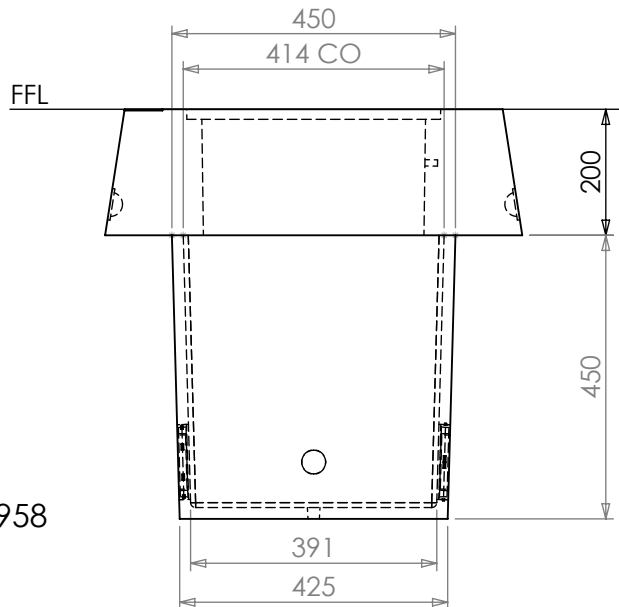
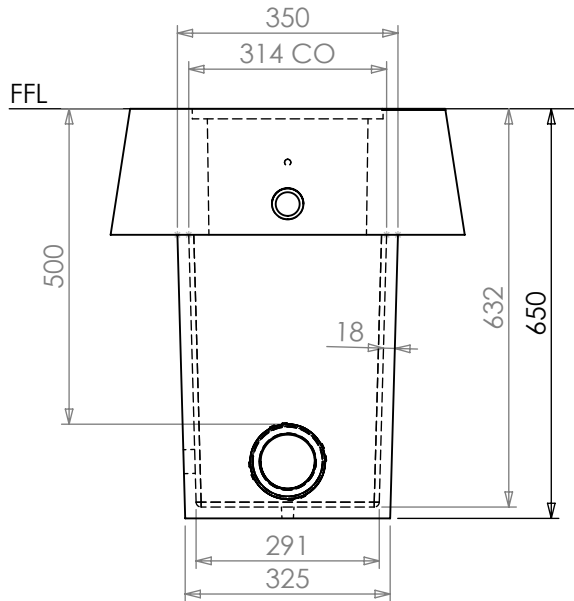
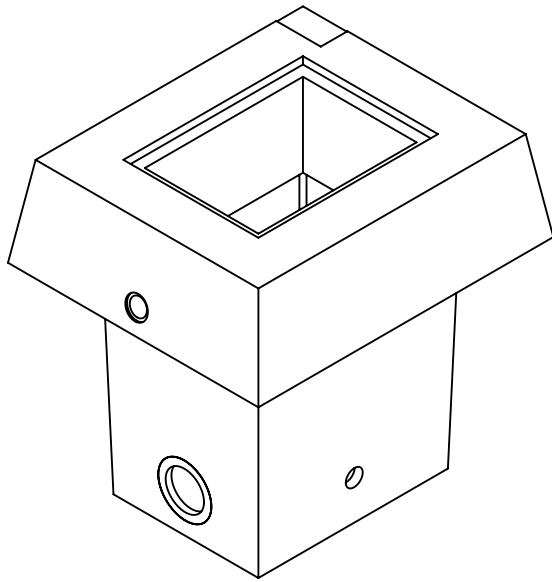
CHK'D

JS

All reasonable care has been taken in compiling the information in this document. All recommendations and suggestions on the use of ACO products are made without guarantee since the conditions of use are beyond the control of the company. It is the customer's responsibility to ensure that each product is fit for its intended purpose and that the actual conditions are suitable. ACO Limited. pursues a policy of continuous product development and reserves the right to amend specifications without notice.

This illustration is for ACO sales purposes only. Any other use of this illustration is prohibited by ACO.

# SHALLOW SIT PIT WITH DEEP COLLAR



ASSEMBLED PART NUMBER: **143068**

Kit includes:

- SIT Pit (450 deep) - 142320
- SIT Pit Deep Collar & Lid Assembled - 142958
- SIT Pit Support Stand - 142319

©2020 COPYRIGHT ACO LTD.

## SALES ILLUSTRATION

**ACO Limited**

Unit F/6 Percival Gull Place, Mangere, Auckland 2022

Tel: +64 9 815 9500, Email: sales@aconz.co.nz, Website: www.aconz.co.nz



REF. No.  
**20-02**

REVISION:

CHK'D

JS

All reasonable care has been taken in compiling the information in this document. All recommendations and suggestions on the use of ACO products are made without guarantee since the conditions of use are beyond the control of the company. It is the customer's responsibility to ensure that each product is fit for its intended purpose and that the actual conditions are suitable. ACO Limited. pursues a policy of continuous product development and reserves the right to amend specifications without notice.

This illustration is for ACO sales purposes only. Any other use of this illustration is prohibited by ACO.