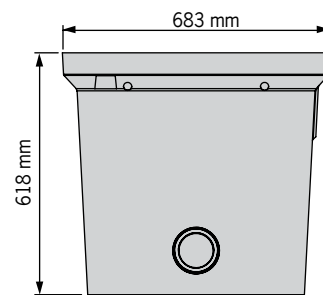
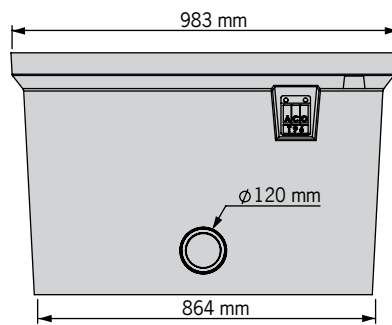
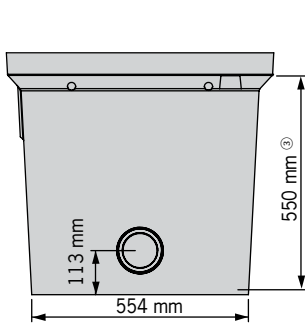
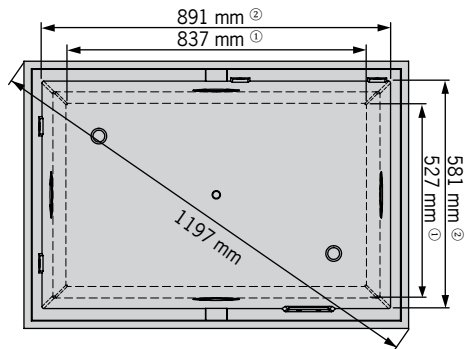


Type 96 polymer concrete cable pit

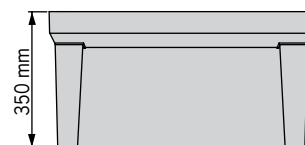
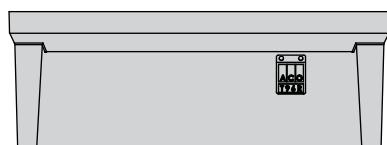
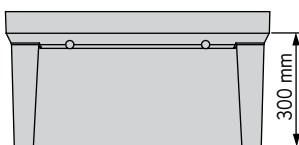
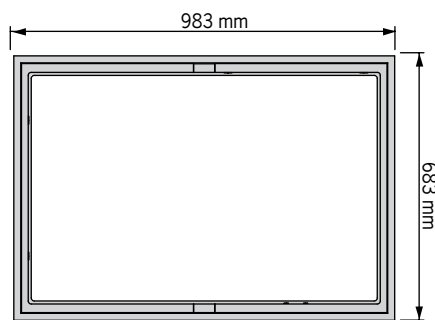
Cable pit



Key

- ① Clear working dimension at pit base
- ② Clear working dimension at pit opening
- ③ Clear working dimension beneath rebate

Optional riser - each riser adds up to 300mm height



ACO Specification Information

Type 96 polymer concrete cable pit

ACO Specification Information

Cable pit and riser

Description	Part No	Depth mm	Weight kg
Type 96 polymer concrete pit	74429	618	92.4
Accessories			
Type 96 polymer concrete riser (adds 300mm to pit depth)	74463	350	50.1

Compatible lids and access covers

Description	Part No	Weight kg	
		cover ²	total
Polymer concrete 2-part lid (AS 3996 CI A) - Blank ^{1 3}	74560	22	46
Polymer concrete 2-part lid (AS 3996 CI A) - Communications ^{1 3}	74555	22	46
Polymer concrete 2-part lid (AS 3996 CI A) - Electricity ^{1 3}	74550	22	46
Steel 2-part lid (AS 3996 CI B) ^{1 4}	79620	15	30
Steel 2-part lid (AS 3996 CI C) ^{1 4}	custom	-	-
Steel PowerLok 2-part lid (AS 3996 CI B) ^{1 4}	79630	20	39
Steel PowerLok 2-part lid (AS 3996 CI C) ^{1 4}	custom	-	-
Steel Urbanfil recessed cover (AS 3996 CI B) ¹	82018	21	30
Steel Pavermate recessed cover (AS 3996 CI B) ¹	81364	22	30
Ductile iron Rhinocast recessed cover (AS 3996 CI B) ¹	85078	57	83
Ductile iron Rhinocast solid top cover (AS 3996 CI B) ¹	85253	57	87
Ductile iron Rhinocast recessed cover (AS 3996 CI D) ¹	89072	88	149
Ductile iron Rhinocast solid top cover (AS 3996 CI D) ¹	89276	102	165
Ductile iron Rhinocast recessed cover (AS 3996 CI G) ¹	87075	180	266

1. Refer to ACO Cablemate literature for details
2. Lifting weight - kg
3. Lid dimension: 640 x 480 x 48 (mm)
4. Lid dimension: 640 x 470 x 48 (mm)

Specifications

General

The cable pit shall be ACO Cablemate Type 96 with lid/access cover* (see below) as manufactured by ACO Limited or equal approved.

Materials

The pit/riser bodies shall be manufactured from polyester polymer concrete with:

Electrical resistivity 1 x 10⁸ Ω/sq
 Compressive strength: 96MPa
 Flexural strength: 27MPa
 Water absorption 0.07%
 Frost proof
 Salt proof
 Dilute acid and alkali resistant
 Surface burn characteristics of the material shall comply with UL 723

The nominal clear opening shall be 891mm x 581mm. Units shall be manufactured with a clear depth of 550mm.

Optional riser

Additional height can be added using one or two polymer concrete riser units - each riser adds up to 300mm height.

Lid/Access cover

The pit shall be covered with a polymer concrete lid*, steel/PowerLok lid*, Urbanfil/Pavermate access cover*, Rhinocast access cover* - see table for compatible options.

Installation

The cable pit shall be installed in accordance with the manufacturer's installation instructions and recommendations.

* delete as applicable

ACO Limited
New Zealand
 Ph: 0800 448 080
 www.aconz.co.nz
 info@aconz.co.nz

© July 2017 ACO Limited. All reasonable care has been taken in compiling the information in this document. All recommendations and suggestions on the use of ACO products are made without guarantee since the conditions of use are beyond the control of the company. It is the customer's responsibility to ensure that each product is fit for its intended purpose and that the actual conditions are suitable. ACO Limited pursues a policy of continuous product development and reserves the right to amend specifications without notice.

