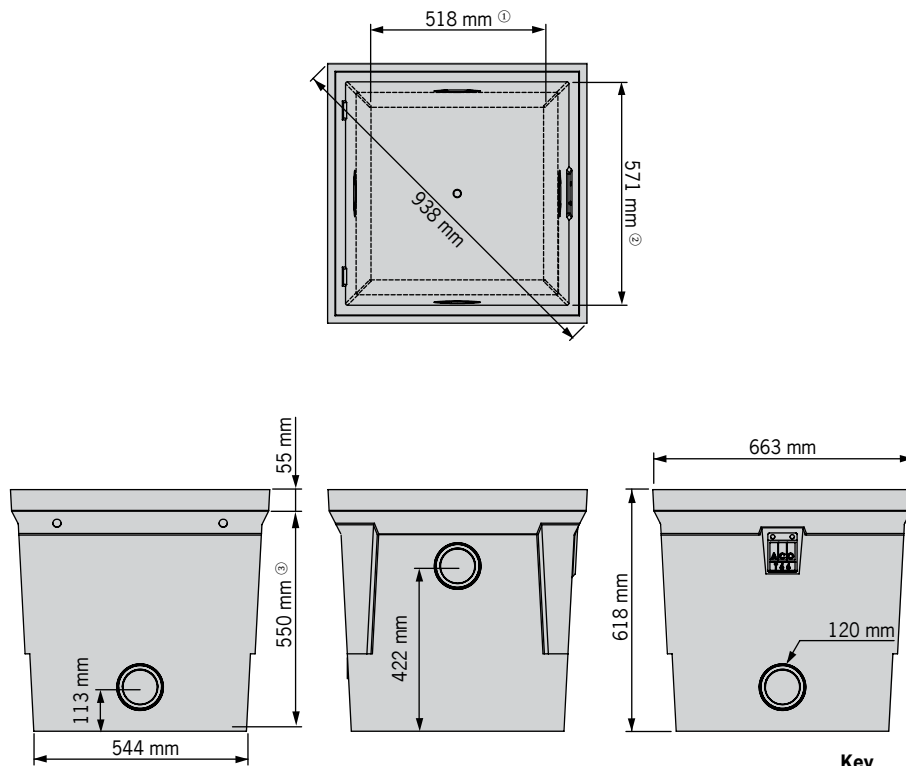


# Type 66 polymer concrete cable pit

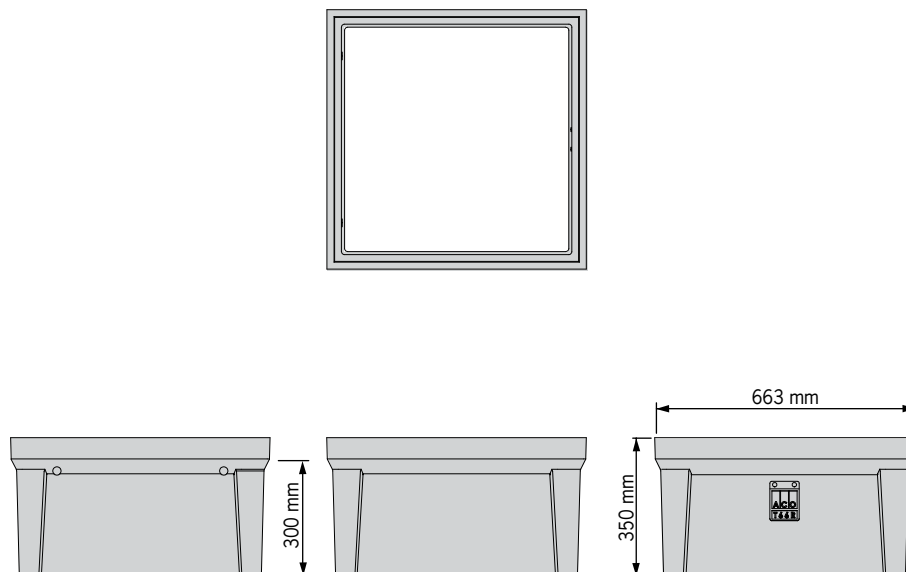
## Cable pit



**Key**

- ① Clear working dimension at pit base
- ② Clear working dimension at pit opening
- ③ Clear working dimension beneath rebate

**Optional riser** - each riser adds up to 300mm height



ACO Specification Information

Type 66 polymer concrete cable pit

ACO Specification Information

Cable pit and riser

Description	Part No	Depth mm	Weight kg
Type 66 polymer concrete pit	75105	618	72.2
<b>Accessories</b>			
Type 66 polymer concrete riser (adds 300mm to pit depth)	75126	350	38.3

Compatible lids and access covers

Description	Part No	Weight kg	
		cover <sup>2</sup>	total
Polymer concrete lid (AS 3996 CI A) - Blank <sup>1 3</sup>	75149	24	24
Polymer concrete lid (AS 3996 CI A) - Communications <sup>1 3</sup>	75154	24	24
Polymer concrete lid (AS 3996 CI A) - Electricity <sup>1 3</sup>	75160	24	24
Steel lid (AS 3996 CI B) <sup>1 4</sup>	76620	17	17
Steel lid (AS 3996 CI C) <sup>1 4</sup>	custom	-	-
Steel PowerLok lid (AS 3996 CI B) <sup>1 4</sup>	76630	22	22
Steel PowerLok lid (AS 3996 CI C) <sup>1 4</sup>	custom	-	-
Steel Urbanfil recessed cover (AS 3996 CI B) <sup>1</sup>	81565	15	22
Steel Pavermate recessed cover (AS 3996 CI B) <sup>1</sup>	81948	18	24
Ductile iron Rhinocast recessed cover (AS 3996 CI B) <sup>1</sup>	85045	36	60
Ductile iron Rhinocast solid top cover (AS 3996 CI B) <sup>1</sup>	85222	35	63
Ductile iron Rhinocast recessed cover (AS 3996 CI D) <sup>1</sup>	89041	62	116
Ductile iron Rhinocast solid top cover (AS 3996 CI D) <sup>1</sup>	89235	65	125
Ductile iron Rhinocast recessed cover (AS 3996 CI G) <sup>1</sup>	87044	135	200

1. Refer to ACO Cablemate literature for details
2. Lifting weight - kg
3. Lid dimension: 618 x 618 x 50 (mm)
4. Lid dimension: 620 x 620 x 48 (mm)

Specifications

General

The cable pit shall be ACO Cablemate Type 66 with lid/access cover\* (see below) as manufactured by ACO Limited or equal approved.

Materials

The pit/riser bodies shall be manufactured from polyester polymer concrete with:

Electrical resistivity 1 x 10<sup>8</sup> Ω /sq  
 Compressive strength: 96MPa  
 Flexural strength: 27MPa  
 Water absorption 0.07%  
 Frost proof  
 Salt proof  
 Dilute acid and alkali resistant  
 Surface burn characteristics of the material shall comply with UL 723

The nominal clear opening shall be 571mm x 571mm. Units shall be manufactured with a clear depth of 550mm.

Optional riser

Additional height can be added using one or two polymer concrete riser units - each riser adds up to 300mm height.

Lid/Access cover

The pit shall be covered with a polymer concrete lid\*, steel/PowerLok lid\*, Urbanfil/Pavermate access cover\*, Rhinocast access cover\* - see table for compatible options.

Installation

The cable pit shall be installed in accordance with the manufacturer's installation instructions and recommendations.

\* delete as applicable

ACO Limited  
 New Zealand  
 Ph: 0800 448 080  
 www.aconz.co.nz  
 info@aconz.co.nz

© July 2017 ACO Limited. All reasonable care has been taken in compiling the information in this document. All recommendations and suggestions on the use of ACO products are made without guarantee since the conditions of use are beyond the control of the company. It is the customer's responsibility to ensure that each product is fit for its intended purpose and that the actual conditions are suitable. ACO Limited pursues a policy of continuous product development and reserves the right to amend specifications without notice.

