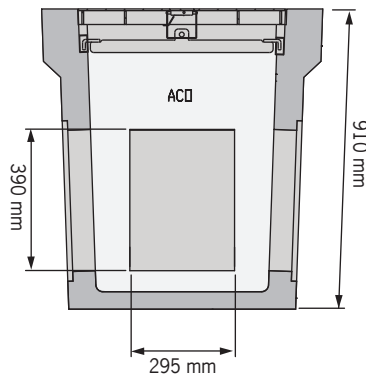
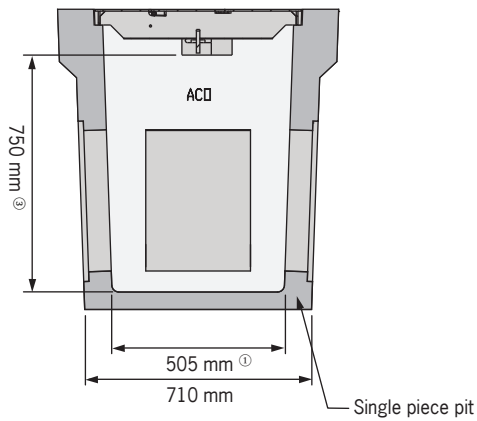
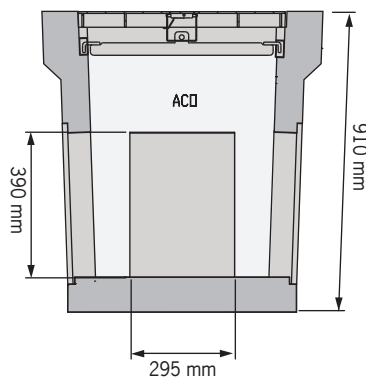
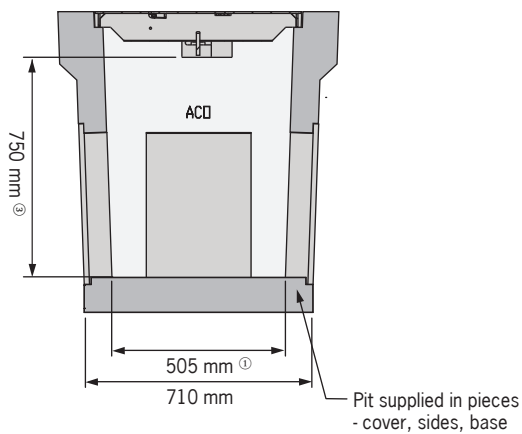


Cable pit - full body



Cable pit - split body



Key

- ① Clear working dimension at pit base
- ② Clear working dimension at pit opening
- ③ Clear working dimension beneath lid rebate

ACO Specification Information

J600P - ACO PITLOK® SCEC (SL1) - concrete pit & steel lid system

ACO Specification Information

Cable pits and lids

Description	Part No	SEEPL code	Internal clear opening L x W x D (mm)	Total product weight (kg)	Individual lid lifting weight (kg)
J600P - full body pit only	142265		535 x 535 x 750	473	
J600P - split body pit only	142266		535 x 535 x 750	466	
P600 - steel lid (Class B)	142488	J600P-142488		23	22
P600 - steel lid (Class D)	143065	J600P-143065		34	33

Accessories & ancillary items

Description	Part No	Weight kg
Lid Lifting Tool	142232	0.5
ID Plates	On Enquiry	N/A
Route Marker Plates	On Enquiry	N/A
SCEC (SL3) Padlocks	On Enquiry	0.5
Swing Arm	On Enquiry	1
SCEC (SL1) approved precast concrete riser	On Enquiry	Variable

Specifications

General

The cable pit shall be ACO J600P PITLOK SCEC (SL1) - concrete pit & steel lid - full* / split* body as supplied by ACO Pty Ltd. or equal approved.

The pit is fully tested and assessed on behalf of SCEC. SCEC have subsequently endorsed the lids and pits to SL1 contingent on the use of SCEC (SL3) padlocks to secure the lids.

Materials

The pit body shall be manufactured from reinforced cement concrete with:

Compressive strength: 40MPa

The nominal clear opening shall be 535mm x 535mm x 750mm. Units shall be manufactured with an internal depth of 750mm.

Lid

The pit shall be covered with a SCEC (SL1) approved tamper evident locking steel lid. All lids must be load certified to AS 3996 and NATA tested certificates must be supplied.

Installation

The cable pit shall be installed in accordance with the manufacturer's installation instructions and recommendations.

* delete as applicable

ACO Limited
New Zealand
 Ph: 0800 448 080
 www.aconz.co.nz
 sales@aconz.co.nz



© October 2020 ACO Limited. All reasonable care has been taken in compiling the information in this document. All recommendations and suggestions on the use of ACO products are made without guarantee since the conditions of use are beyond the control of the company. It is the customer's responsibility to ensure that each product is fit for its intended purpose and that the actual conditions are suitable. ACO Limited. pursues a policy of continuous product development and reserves the right to amend specifications without notice.