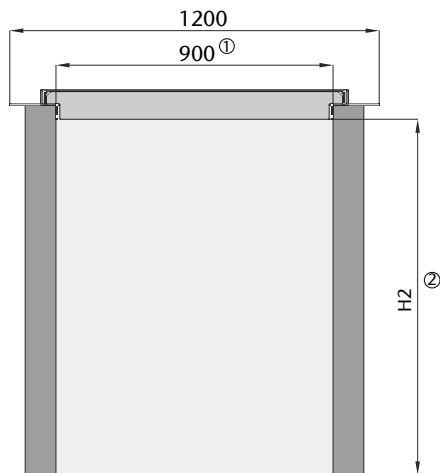
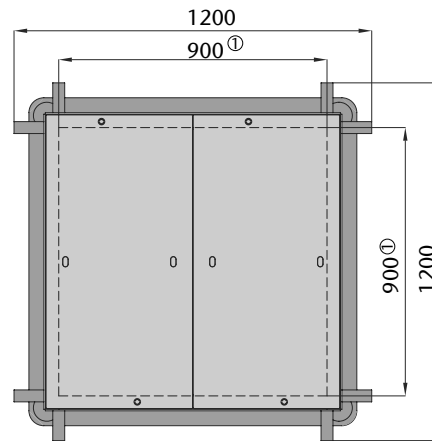
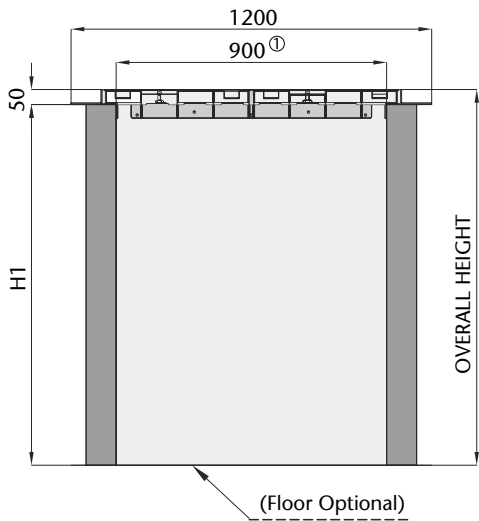


ACO EzyBrixx® - 900mm x 900mm – twin walled polypropylene cable pit



H1 (mm)	H2 (mm)	OVERALL HEIGHT (mm)
900	855	950
1050	1005	1100
1200	1155	1250

Key

1. Clear working dimension at pit opening.
2. Clear working dimension beneath lid components.
3. All dimensions are in mm

Parts Table

Enclosures/Lids		
Descriptions/dimensions	Part No.	Weight (kg)
EzyBrixx 900mm x 900mm x (900mm deep) pit	142530	50
EzyBrixx 900mm x 900mm x (900mm deep) pit with base	142648	55
EzyBrixx 900mm x 900mm x (1050mm deep) pit	142606	58
EzyBrixx 900mm x 900mm x (1050mm deep) pit with base	142649	63
EzyBrixx 900mm x 900mm x (1200mm deep) pit	142531	66
EzyBrixx 900mm x 900mm x (1200mm deep) pit with base	142650	71
EzyBrixx 900mm x 900mm (150mm deep) riser (supplied loose)	142583	10
EzyBrixx 900mm x 900mm steel (single part) bolt locking lid - Class B	142576	93
EzyBrixx 900mm x 900mm steel (single part) bolt locking lid - Class D	142494	105
EzyBrixx Access Cover - 900 x 900 Class B Tilemate infill	81645	38
EzyBrixx Access Cover - 900 x 900 Class B Pavermate® infill	81992	36
EzyBrixx Access Cover - 900 x 900 Class B Rhinocast® infill	85093	114
EzyBrixx Access Cover - 900 x 900 Class D Rhinocast® infill	89093	199
EzyBrixx Access Cover - 900 x 900 Class B Rhinocast® Solid Top	89953	149
EzyBrixx Access Cover - 900 x 900 Class D Rhinocast® Solid Top	89955	284

ACO CABLEMATE

ACO EzyBrixx® - 900mm x 900mm – twin walled polypropylene cable pit

Accessories

Descriptions	Part No.
EzyBrixx Cable support (each)	142567
EzyBrixx Ladder	POA
Universal Lifting Key	84306
Rhinocast®: Lifting key - Short handle (pair)	84654
Rhinocast®: Lifting key - Long handle (pair)	84854
4m eye to eye lifting slings (set of 4)	142565
Holesaw EzyBrixx: tungsten grit 30mm system - Short Hex	142760
Holesaw EzyBrixx: tungsten grit 65mm system - Short Hex	142761
Holesaw EzyBrixx: tungsten grit 70mm system - Short Hex	142762
Holesaw EzyBrixx: tungsten grit 90mm system - Short Hex	142763
Holesaw EzyBrixx: tungsten grit 120mm system - Short Hex	142764
Holesaw EzyBrixx: tungsten grit 160mm system - Short Hex	142765
Holesaw EzyBrixx: tungsten grit 30mm system -Short SDS	142766
Holesaw EzyBrixx: tungsten grit 65mm system -Short SDS	142767
Holesaw EzyBrixx: tungsten grit 70mm system - Short SDS	142768
Holesaw EzyBrixx: tungsten grit 90mm system - Short SDS	142769
Holesaw EzyBrixx: tungsten grit 120mm system - Short SDS	142770
Holesaw EzyBrixx: tungsten grit 160mm system - Short SDS	142771
Holesaw EzyBrixx: pilot key - 200mm long	142772
Holesaw EzyBrixx: pilot key - 40mm long drift key	142773
Short SDS adaptor	142774
Short HEX adaptor	142775
Long HEX adaptor	142776
Long SDS adaptor	142777
Universal Plug	84625

Specifications

The cable pit shall be ACO EzyBrixx® - 900mm x 900mm (clear opening)

- with/without* base
- with/without* 150mm riser
- complete with a bolt lockable Class B/D* steel lid/access cover** (AS 3996)

The cable pit shall have an overall depth of 900mm/1050mm/1200mm*or increments created by the 150mm riser, specify_____

The pit body shall be manufactured from modular rigid (twin wall) polypropylene components comprising an interlocking wedge system configured in 150mm high stacking units.

The pit is to be supplied assembled and installed in accordance with the manufacturer's installations.

* delete as applicable

** For access covers:

- specify: solid top or infill type
- specify: locking or non-locking
- Specify Pavermate® or Tilemate (Class B) or Rhinocast® (Class B, D) – visit <https://www.acoaccess.com.au/products/> for more info.
- Request manufacturer for a rebate drawing to determine levels

ACO Limited

New Zealand

Ph: 0800 448 080

www.aconz.co.nz

sales@aconz.co.nz

© October 2020 ACO Limited. All reasonable care has been taken in compiling the information in this document. All recommendations and suggestions on the use of ACO products are made without guarantee since the conditions of use are beyond the control of the company. It is the customer's responsibility to ensure that each product is fit for its intended purpose and that the actual conditions are suitable. ACO Limited pursues a policy of continuous product development and reserves the right to amend specifications without notice.

