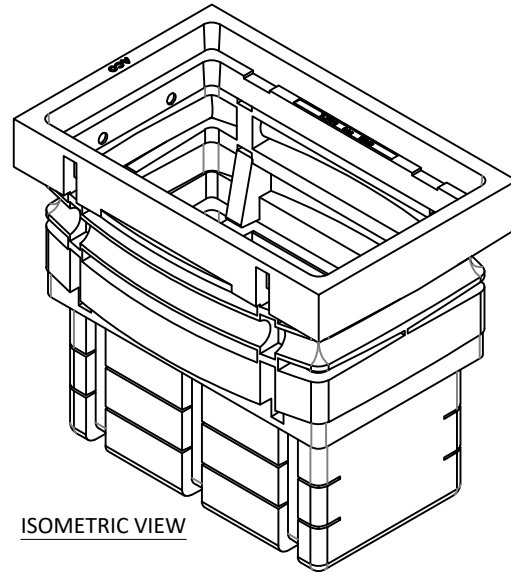
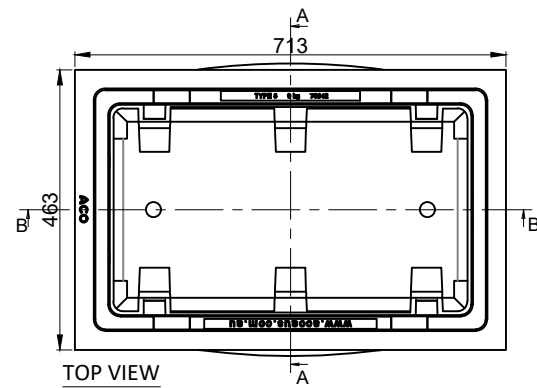
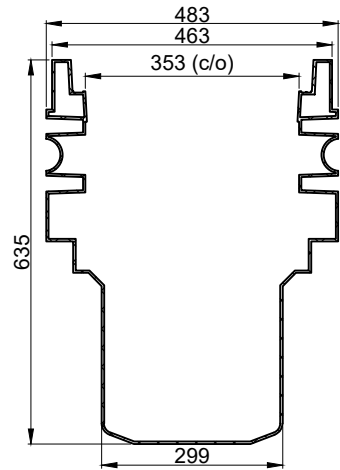


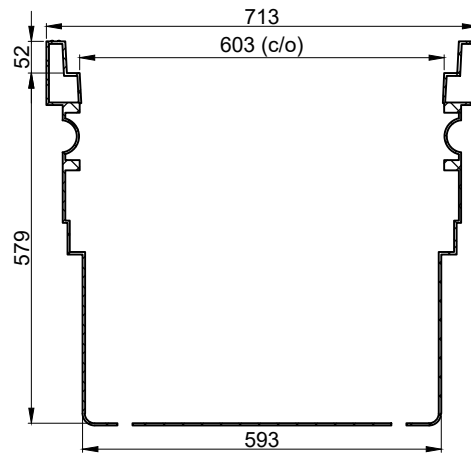
TYPE 5 RETRO SIDE RIBS



ISOMETRIC VIEW

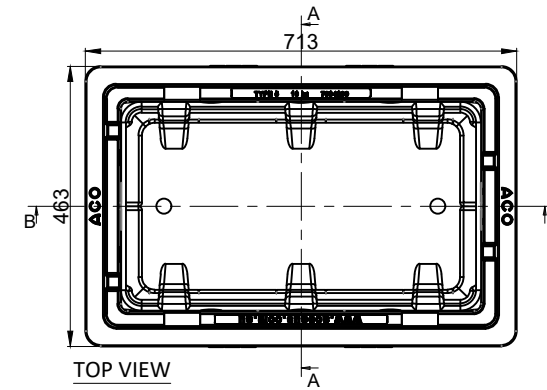


SECTION A-A

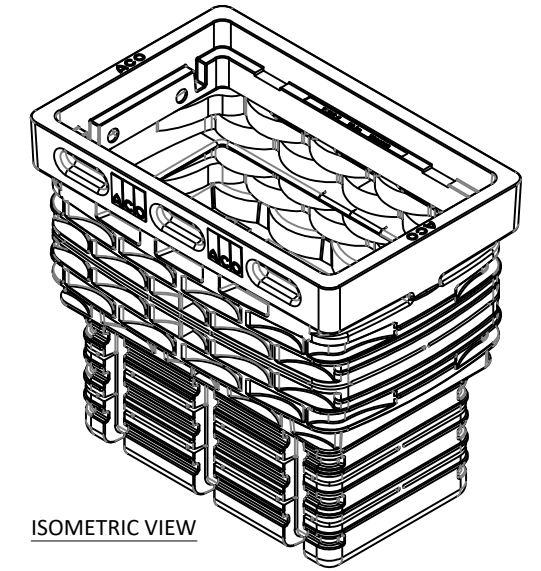


SECTION B-B

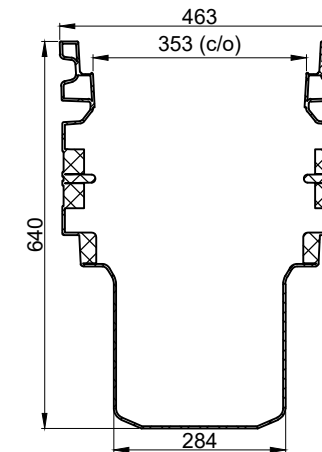
TYPE 5 RETRO FULL RIBS



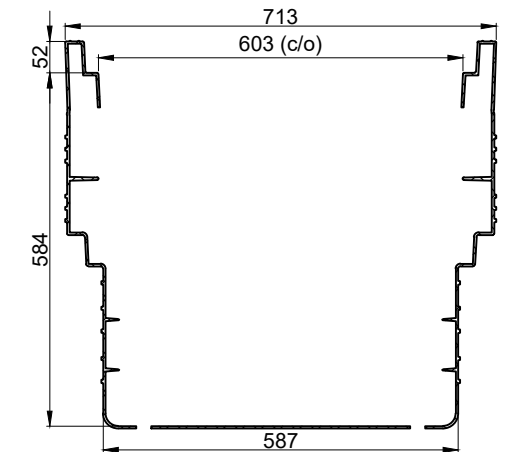
TOP VIEW



ISOMETRIC VIEW



SECTION A-A



SECTION B-B

Load Class	Type	Description	Overall Length (mm)	Overall Width (mm)	Overall Depth (mm)	Clear Length (mm)	Clear Width (mm)	Clear Depth (mm)	Weight (kg)	Pallet (Units)	Part Number
A to B*	Type 5	ACO Cablemate® Pit Type 5 Retro Side Ribs	713	483	635	603	353	579	10.00	-	76042
A to B*	Type 5	ACO Cablemate® Pit Type 5 Retro Full Ribs	713	463	640	603	353	584	10.00	-	7604299

Compatible Lids and Access Covers				
Load Class	Description	Weight Cover ² (kg)	Weight Total (kg)	Part Number
A10	ACO Cablemate® Lid Cement Concrete Blank ^{1 3}	28	28	76049
A10	ACO Cablemate® Lid Cement Concrete Communications ^{1 3}	28	28	76073
A10	ACO Cablemate® Lid Cement Concrete Electricity ^{1 3}	28	28	76080
B80	ACO Cablemate® Lid Steel ^{1 4}	11	11	70520
B80	ACO PowerLok® Lid Steel ^{1 4}	15	15	70530
B80	ACO Urbanfil® Steel Recessed Cover ¹	11	16	80450
B80	ACO Pavermate® Steel Recessed Cover ¹	11	17	80451
B80	ACO Rhinocast® Ductile Iron Recessed Cover ¹	28	49	85037
B80	ACO Rhinocast® Ductile Iron Solid Cover ¹	28	47	85236

* Check the Lid's load class

1. Refer to ACO Cablemate® literature for details
2. Lifting weight - kg

3. Lid dimension: 648 x 398 x 50 (mm)
4. Lid dimension: 648 x 398 x 48 (mm)

General

The cable pit shall be ACO Cablemate® Type 5 with lid/access cover* (see below) as manufactured by ACO Pty Ltd. or equal approved. Polyethylene moulded pits feature a ribbed construction for strength and durability. The cable pit shall be installed in accordance with the manufacturer's installation instructions and recommendations.

Materials/Properties

The pit body shall be manufactured from polyethylene with:
 Electrical resistivity = $1 \times 10^{16} \Omega / \text{sq}$ Flexural strength: 15MPa Water absorption 0.31%
 Frost proof Salt proof Dilute acid and alkali resistant
 Surface burn characteristics of the material shall comply with UL 723 IP ratings up to IP4X (AS 60529) - enclosure protection against ingress

The nominal clear opening shall be 603mm x 353mm. Units shall be manufactured with a clear depth of 579mm for Type 5 Retro side ribs and 584mm for Type 5 Retro Full Ribs

Lid/Access cover

The pit shall be covered with a CableMate® cement concrete/steel lid, PoweLok®, Urbanfil®/Pavermate® access cover, Rhinocast® access cover - see table for compatible options.

SPECIFICATION SHEET

Drawn: Danilo V. Revision: 00
 Verified: George S. Date: March/21

Brand: **ACO CABLEMATE®**
 Product: **ACO CABLEMATE®**
Polyethylene Pit Type 5 Retro Side Ribs
Polyethylene Pit Type 5 Retro Full Ribs



ACO Limited
 Unit F/6 Percival Gull Place
 Mangere
 Auckland 2022
 Tel: 0800 448 080
 Fax: +64 9255 5114
 Email: info@aconz.co.nz