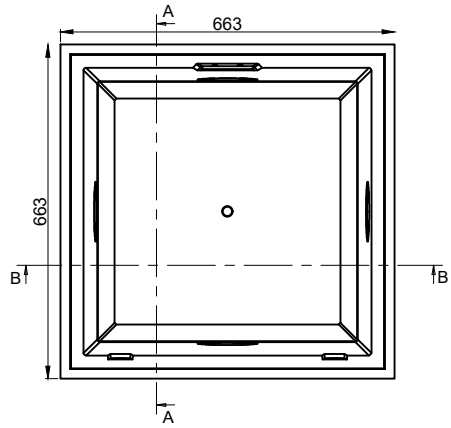
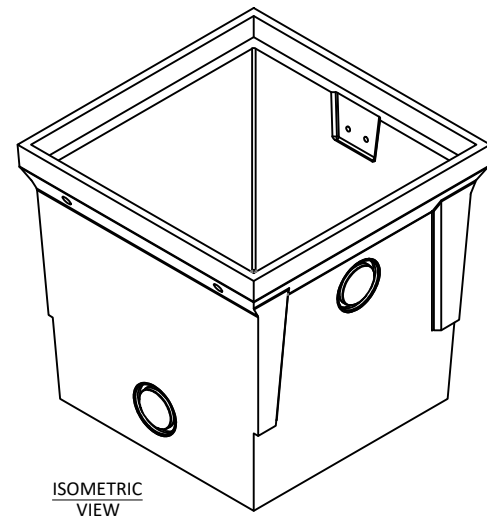


PIT

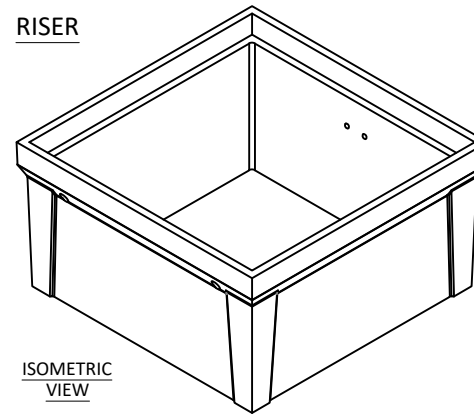


TOP VIEW

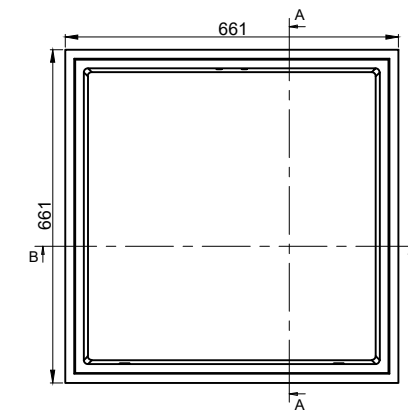


ISOMETRIC VIEW

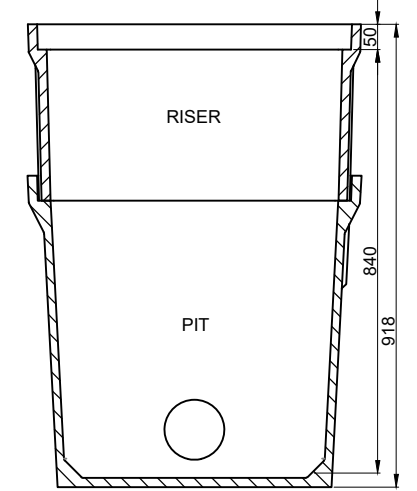
RISER



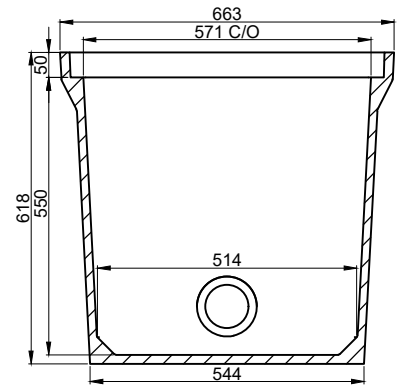
ISOMETRIC VIEW



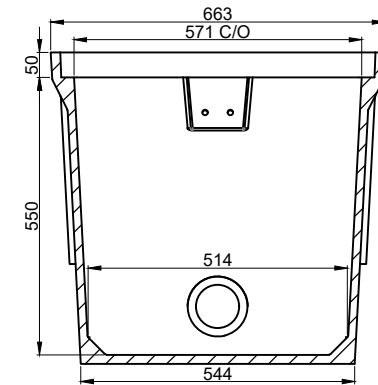
TOP VIEW



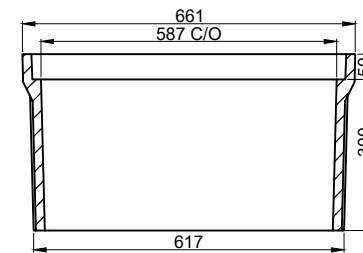
PIT & RISER ASSEMBLY SECTION A-A



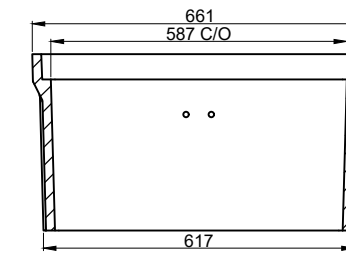
SECTION A-A



SECTION B-B



SECTION A-A



SECTION B-B

Load Class	Type	Description	Overall Length (mm)	Overall Width (mm)	Overall Depth (mm)	Clear Length (mm)	Clear Width (mm)	Clear Depth (mm)	Weight (kg)	Pallet (Units)	Part Number
A to G*	Type 66	ACO Cablemate® Pit Type 66	663	663	618	571	571	550	72.20	-	75105
A to G*	Type 66	ACO Cablemate® Riser Type 66	661	661	350	587	587	300	38.30	-	75126

* Check the Lid's load classes

Compatible Lids and Access Covers				
Load Class	Description	Weight Cover ² (kg)	Weight Total (kg)	Part Number
A10	ACO Cablemate® Lid Polymer Concrete Blank ^{1 3}	24	24	75149
A10	ACO Cablemate® Lid Polymer Concrete Communications ^{1 3}	24	24	75154
A10	ACO Cablemate® Lid Polymer Concrete Electricity ^{1 3}	24	24	75160
B80	ACO Cablemate® Lid Steel ^{1 4}	17	17	76620
B80	ACO PowerLok® Lid Steel ^{1 4}	22	22	76630
B80	ACO Urbanfil® Steel Recessed Cover ¹	15	22	81565
B80	ACO Pavermate® Steel Recessed Cover ¹	18	24	81948
B80	ACO Rhinocast® Ductile Iron Recessed Cover ¹	36	60	85045
B80	ACO Rhinocast® Ductile Iron Solid Cover ¹	35	63	85222
D240	ACO Rhinocast® Ductile Iron Recessed Cover ¹	62	116	89041
D240	ACO Rhinocast® Ductile Iron Solid Cover ¹	65	125	89235
G900	ACO Rhinocast® Ductile Iron Recessed Cover ¹	135	200	87044

1. Refer to ACO Cablemate® literature for details
2. Lifting weight - kg

3. Lid dimension: 618 x 618 x 50 (mm)
4. Lid dimension: 620 x 620 x 48 (mm)

General

The cable pit shall be ACO Cablemate® Type 66 with lid/access cover* (see below) as manufactured by ACO Pty Ltd. or equal approved. The cable pit shall be installed in accordance with the manufacturer's installation instructions and recommendations.

Materials/Properties

The pit/riser bodies shall be manufactured from polymer concrete with:
 Electrical resistivity = 1 x 10⁹ Ω /sq Compressive strength: 96MPa Flexural strength: 27MPa Water absorption 0.07%
 Frost proof Salt proof Dilute acid and alkali resistant

The nominal clear opening shall be 571mm x 571mm. Units shall be manufactured with a clear depth of 550mm.

Optional riser

Additional height can be added using one or two polymer concrete riser units - each riser adds up to 300mm height.

Lid/Access cover

The pit shall be covered with a CableMate® polymer concrete/steel lid, PoweLok®, Urbanfil®/Pavermate® access cover, Rhinocast® access cover - see table for compatible options.

SPECIFICATION SHEET

Brand: **ACO CABLEMATE®**

Product: **ACO CABLEMATE®**
Polymer Pit Type 66
Polymer Riser Type 66



ACO Limited
 Unit F/6 Percival Gull Place
 Mangere
 Auckland 2022
 Tel: 0800 448 080
 Fax: +64 9255 5114
 Email: info@aconz.co.nz

Drawn: Danilo V. Revision: 00
 Verified: George S. Date: March/21