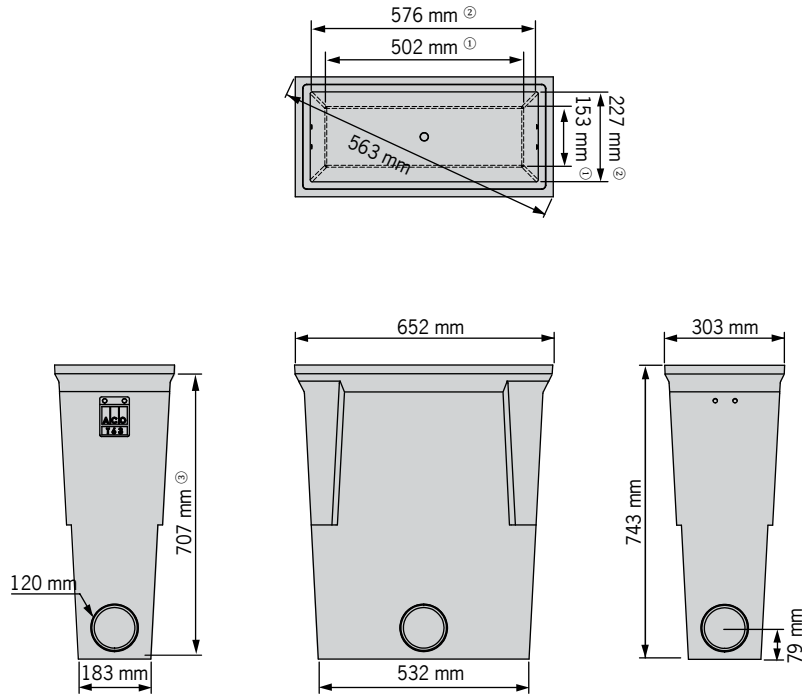


Type 63 polymer concrete cable pit

Cable pit



Key

- ① Clear working dimension at pit base
- ② Clear working dimension at pit opening
- ③ Clear working dimension beneath rebate

ACO Specification Information

Type 63 polymer concrete cable pit

ACO Specification Information

Cable pit and riser

Description	Part No	Depth mm	Weight kg
Type 63 polymer concrete pit	74747	743	49.8

Compatible lids and access covers

Description	Part No	Weight kg	
		cover ²	total
Polymer concrete lid (AS 3996 CI A) - Blank ^{1 3}	74765	9	9
Polymer concrete lid (AS 3996 CI A) - Communications ^{1 3}	74772	9	9
Polymer concrete lid (AS 3996 CI A) - Electricity ^{1 3}	74786	9	9
Steel lid (AS 3996 CI B) ^{1 4}	76320	6	6
Steel lid (AS 3996 CI C) ^{1 4}	custom	-	-
Steel Urbanfil recessed cover (AS 3996 CI B) ¹	81225	11	16
Steel Pavermate recessed cover (AS 3996 CI B) ¹	81340	11	16
Ductile iron Rhinocast recessed cover (AS 3996 CI B) ¹	85037	28	49
Ductile iron Rhinocast solid top cover (AS 3996 CI B) ¹	85236	28	47
Ductile iron Rhinocast recessed cover (AS 3996 CI D) ¹	89034	51	99
Ductile iron Rhinocast solid top cover (AS 3996 CI D) ¹	89251	51	105
Ductile iron Rhinocast recessed cover (AS 3996 CI G) ¹	87039	104	163

1. Refer to ACO Cablemate literature for details
2. Lifting weight - kg
3. Lid dimension: 612 x 263 x 20 (mm)
4. Lid dimension: 610 x 262 x 19 (mm)

Specifications

General

The cable pit shall be ACO Cablemate Type 63 with lid/access cover* (see below) as manufactured by ACO Limited or equal approved.

Materials

The pit/riser bodies shall be manufactured from polyester polymer concrete with:

Electrical resistivity 1 x 10⁸ Ω/sq
 Compressive strength: 96MPa
 Flexural strength: 27MPa
 Water absorption 0.07%
 Frost proof
 Salt proof
 Dilute acid and alkali resistant
 Surface burn characteristics of the material shall comply with UL 723

The nominal clear opening shall be 576mm x 227mm. Units shall be manufactured with a clear depth of 707mm.

Lid/Access cover

The pit shall be covered with a polymer concrete lid*, steel lid*, Urbanfil/Pavermate access cover*, Rhinocast access cover* - see table for compatible options.

Installation

The cable pit shall be installed in accordance with the manufacturer's installation instructions and recommendations.

* delete as applicable

ACO Limited
 New Zealand
 Ph: 0800 448 080
 www.aconz.co.nz
 info@aconz.co.nz

© July 2017 ACO Limited. All reasonable care has been taken in compiling the information in this document. All recommendations and suggestions on the use of ACO products are made without guarantee since the conditions of use are beyond the control of the company. It is the customer's responsibility to ensure that each product is fit for its intended purpose and that the actual conditions are suitable. ACO Limited pursues a policy of continuous product development and reserves the right to amend specifications without notice.

