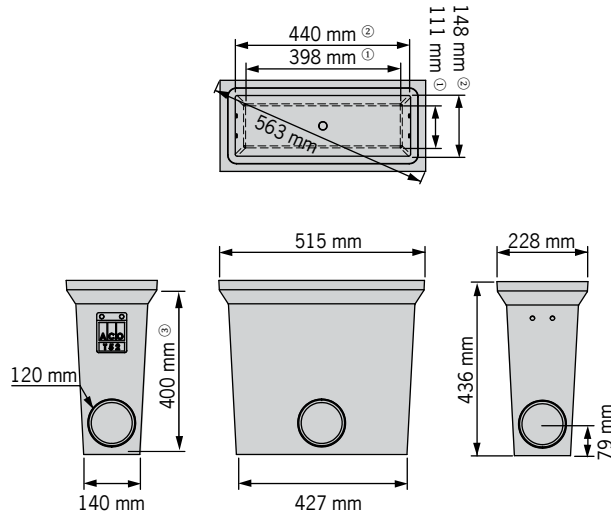


# Type 52 polymer concrete cable pit

## Cable pit



**Key**

- ① Clear working dimension at pit base
- ② Clear working dimension at pit opening
- ③ Clear working dimension beneath rebate

**Type 52 polymer concrete cable pit**

ACO Specification Information

**Cable pit and riser**

Description	Part No	Depth mm	Weight kg
Type 52 polymer concrete pit	<b>74651</b>	436	21.7

**Compatible lids and access covers**

Description	Part No	Weight kg	
		cover <sup>2</sup>	total
Polymer concrete lid (AS 3996 CI A) - Blank <sup>1 3</sup>	<b>74675</b>	5	5
Polymer concrete lid (AS 3996 CI A) - Communications <sup>1 3</sup>	<b>74682</b>	5	5
Polymer concrete lid (AS 3996 CI A) - Electricity <sup>1 3</sup>	<b>74696</b>	5	5
Steel lid (AS 3996 CI B) <sup>1 4</sup>	<b>75220</b>	3	3
Steel lid (AS 3996 CI C) <sup>1 4</sup>	<b>custom</b>	-	-
Steel Urbanfil recessed cover (AS 3996 CI B) <sup>1</sup>	<b>80150</b>	8	13
Steel Pavermate recessed cover (AS 3996 CI B) <sup>1</sup>	<b>80151</b>	8	13
Ductile iron Rhinocast recessed cover (AS 3996 CI B) <sup>1</sup>	<b>85014</b>	28	40
Ductile iron Rhinocast solid top cover (AS 3996 CI B) <sup>1</sup>	<b>85249</b>	20	44
Ductile iron Rhinocast recessed cover (AS 3996 CI D) <sup>1</sup>	<b>89013</b>	42	83
Ductile iron Rhinocast solid top cover (AS 3996 CI D) <sup>1</sup>	<b>89268</b>	46	86
Ductile iron Rhinocast recessed cover (AS 3996 CI G) <sup>1</sup>	<b>87016</b>	86	138

1. Refer to ACO Cablemate literature for details
2. Lifting weight - kg
3. Lid dimension: 470 x 188 x 20 (mm)
4. Lid dimension: 470 x 188 x 18 (mm)

**Specifications**

*General*

The cable pit shall be ACO Cablemate Type 52 with lid/access cover\* (see below) as manufactured by ACO Limited or equal approved.

*Materials*

The pit/riser bodies shall be manufactured from polyester polymer concrete with:

Electrical resistivity 1 x 10<sup>8</sup> Ω/sq  
 Compressive strength: 96MPa  
 Flexural strength: 27MPa  
 Water absorption 0.07%  
 Frost proof  
 Salt proof  
 Dilute acid and alkali resistant  
 Surface burn characteristics of the material shall comply with UL 723

The nominal clear opening shall be 440mm x 148mm. Units shall be manufactured with a clear depth of 400mm.

*Lid/Access cover*

The pit shall be covered with a polymer concrete lid\*, steel lid\*, Urbanfil/Pavermate access cover\*, Rhinocast access cover\* - see table for compatible options.

*Installation*

The cable pit shall be installed in accordance with the manufacturer's installation instructions and recommendations.

\* delete as applicable

**ACO Limited**  
**New Zealand**  
 Ph: 0800 448 080  
 www.aconz.co.nz  
 info@aconz.co.nz

© July 2017 ACO Limited. All reasonable care has been taken in compiling the information in this document. All recommendations and suggestions on the use of ACO products are made without guarantee since the conditions of use are beyond the control of the company. It is the customer's responsibility to ensure that each product is fit for its intended purpose and that the actual conditions are suitable. ACO Limited pursues a policy of continuous product development and reserves the right to amend specifications without notice.

